

MP30

Analytical Diaphragm Pump Series MP®

Version MP30

Special Features

- **Corrosion-resistant**
- **100 % lubricant-free**
- **Gas-tight**
- **Maintenance-free**
- **Long service life**
- **Small dimensions, high performance**

Application

This diaphragm pump MP30 is suitable for corrosive gases. It is constructed especially for gas analysis applications.

Description

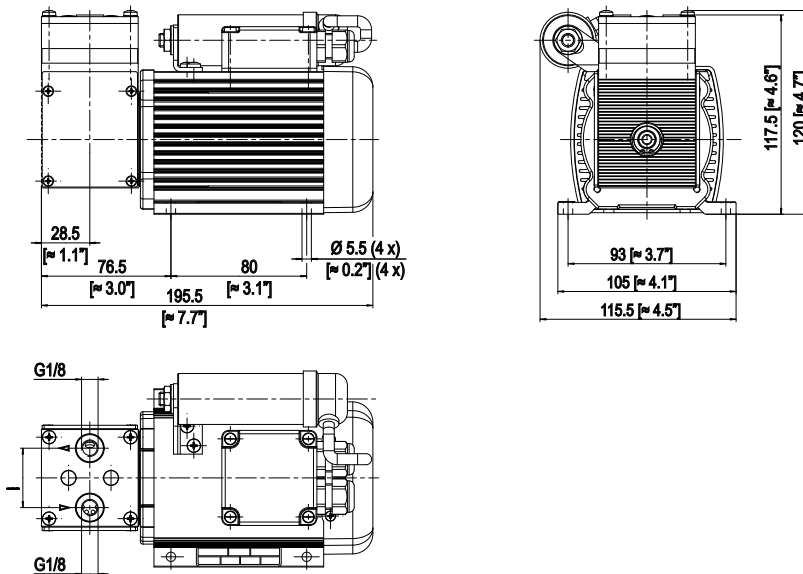
All parts of the MP30 diaphragm pump in contact with the medium are made of PVDF, PTFE and FFKM. The pumped gas remains analytically pure due to the absolutely lubricant-free pump. A special diaphragm and valve system ensures maintenance-free operation and a long service life.

The MP30 is available for 230 V or 115 V power supply.

The standard MP30 is designed for normal applications at a maximum gas flow of 7 Nl/min.

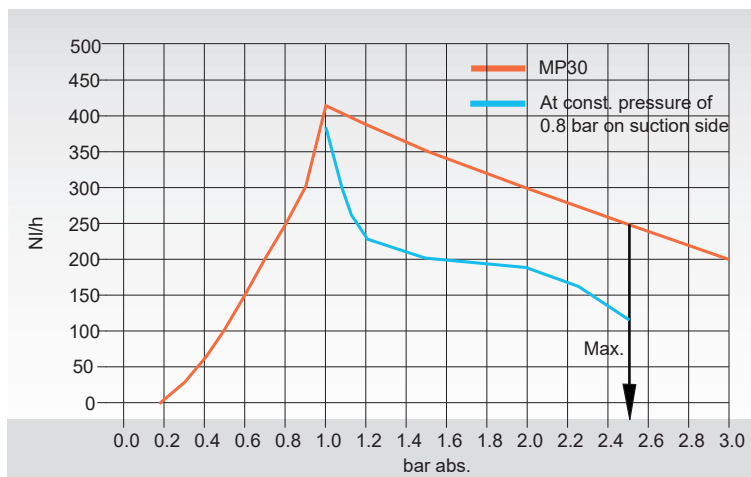
Dimensions

Pump MP30



Dimensions in mm [Inches]

Performance Characteristics MP30



The operating pressure for MP30 is max. 2.5 bar abs.

Technical Data

Diaphragm Pump	MP30 230 V/50 Hz	MP30 115 V/60 Hz
Part No.	02P1500	02P1500a
Degree of protection	IP54 EN 60529	
Power consumption	70 W	
Current consumption	0.45 A	0.7 A
Max. capacity	7.0 NI/min without pressure 0.9/2.0 bar abs. on suction/pressure side: 5 NI/min	
Operating pressure	0.2 to 2.5 bar abs.	
Sample temperature	+5 to +40 °C [41 to 104 °F]	
Ambient temperature	+5 to +40 °C [41 to 104 °F]	
Storage temperature	-15 to +60 °C [5 to 140 °F]	
Gas connections	G 1/8" i DIN ISO 228/1	
Material of sample-contacting parts	Pump head: PVDF, SS 316Ti, diaphragm: PTFE, valves: FFPM	
Operation mode	100 % continuous duty, start of the pump only without pressure	
Weight	3.1 kg [≈ 6.8 lbs]	

Please note: NI/h and NI/min refer to the German standard DIN 1343 and are based on these standard conditions: 0 °C [32 °F], 1013 mbar.