



MP31

Analytical Diaphragm Pump Series MP®

Version MP31

Special Features

- **Capacity: max. 7.5 NI/min without pressure**
- **Max. operating pressure range: 0.14 to 2.5 bar abs.**
- **Corrosion-resistant**
- **100 % lubricant-free**
- **High level of gas tightness**
- **Maintenance-free**

Application

The MP31 is the replacement for the MP30.

The model MP31 is equipped with a new bearing, a new diaphragm and a new intermediate plate.

The MP31 diaphragm pump is suitable for 100 % oil-free transport of corrosive gases. It has been dimensioned and designed specifically for use in the analytical sector. The pump is gas-tight and main-tenance-free.

Description

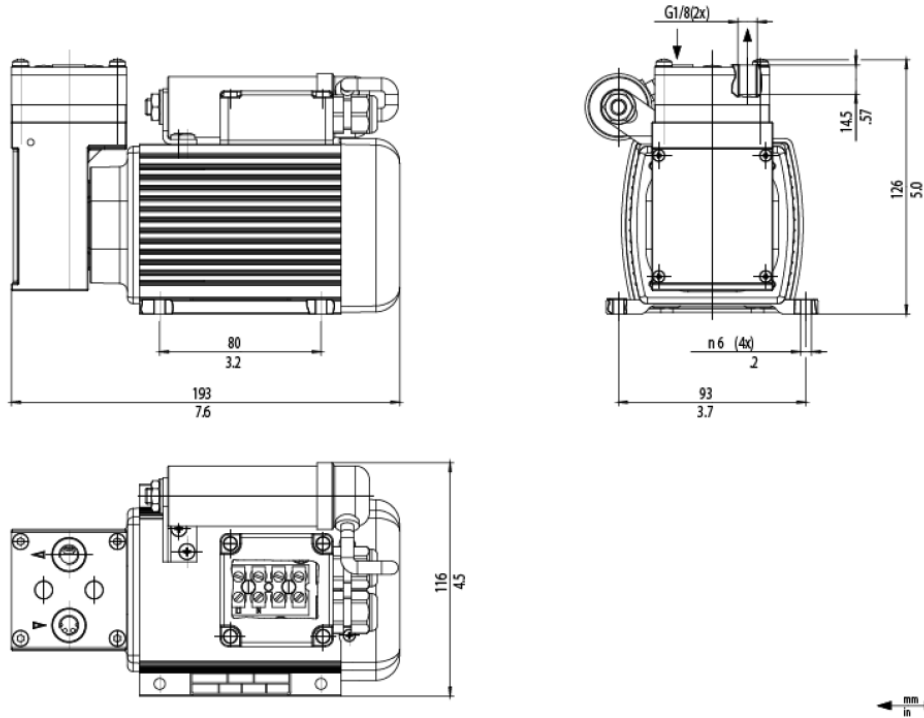
All parts of the MP31 diaphragm pump in contact with the medium are made of PVDF, 316Ti, CR, PTFE coated and FFKM. The pumped gas remains analytically pure due to the absolutely lubricant-free pump. A special diaphragm and valve system ensures maintenance-free operation and a long service life.

The MP31 is available for 230 V or 115 V power supply.

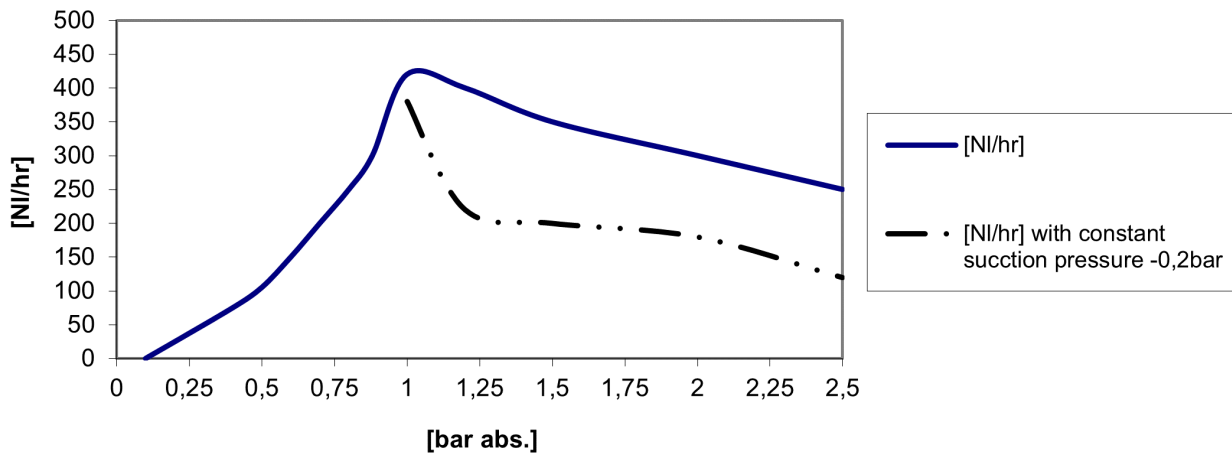
The standard MP31 is designed for normal applications at a maximum gas flow of 7.5 NI/min.

Dimensions

Pump MP31



Performance Characteristics MP31



The operating pressure for MP31 is max. 2.5 bar abs.

Technical Data

Diaphragm Pump	MP31/230 V	MP31/115 V
Part No.	02P1510	02P1510a
Power supply	230 V/50 Hz ±10 %	115 V/60 Hz ±10 %
Power consumption	70 W	
Current consumption	0.45 A	0.7 A
Degree of protection	IP54 DIN 40050	
Max. capacity	7.5 NI/min without pressure	
Operating pressure	0.14 to max. 2.5 bar abs.	
Sample temperature	+5 to +40 °C [41 to 104 °F]	
Ambient temperature	+5 to +40 °C [41 to 104 °F]	
Storage temperature	-15 to +60 °C [5 to 140 °F]	
Gas connections	G 1/8" female DIN ISO 228/1*	
Electrical equipment standard	EN 61010, part 1	
Material of sample-contacting parts	Pump head: PVDF, SS 316Ti, diaphragm: CR, PTFE coated, valves: FFKM	
Operation mode	100 % continuous duty, start of the pump only without pressure	
Weight	3.1 kg [≈ 6.8 lbs]	3.3 kg [≈ 7.3 lbs]

* The dimensions and designation of the screw-in threads correspond to the respective applicable standard. The tolerances of the thread standards are matched to metal threads and cannot be applied to plastic threads.

Material designations according to ISO 1629 and 1043.1

Please note: NI/h and NI/min refer to the German standard DIN 1343 and are based on these standard conditions: 0 °C [32 °F], 1013 mbar.